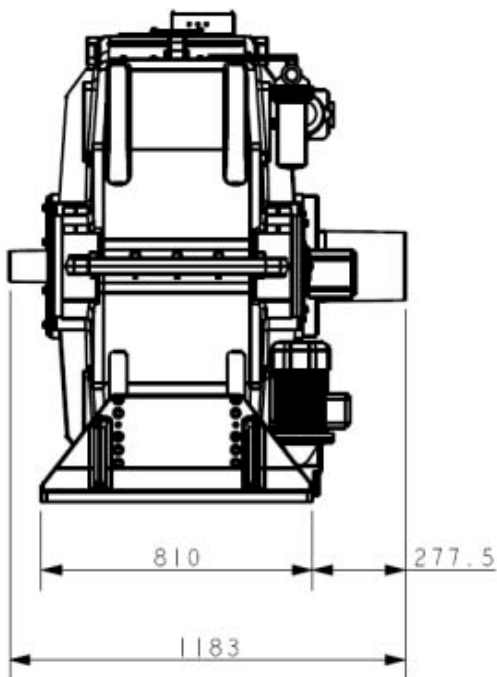
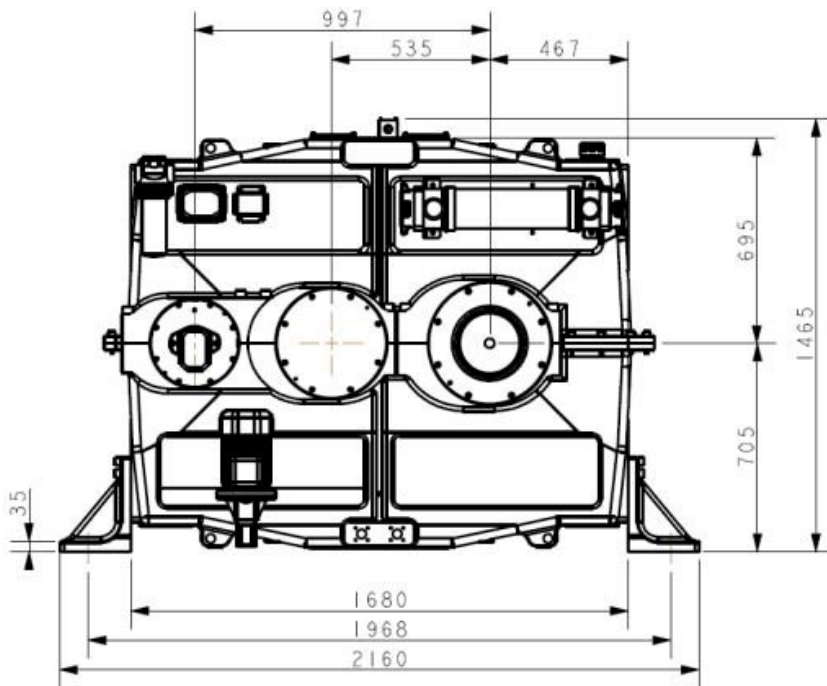


PTO1500 - MARINE GEARBOX



Assembly Type PT1500

Input rpm	Output rpm	Step up ratio	Max.power kW
110	1801	1:16,37	1250
127	1803	1:14,20	1350
167	1802	1:10,79	1650
173	1805	1:10,44	1650

Most efficient PTO system for controllable pitch propulsion systems. Designed for 2-stroke engine applications with specific focus on environment and fuel economy.

Weight:

Approx. 3800 kg

Gearbox:

- Rigid cast iron housing with oil sump, supports and inspection lids
- Horizontal offset
- Roller bearings of double spherical type
- Tapered 1:30 input and output shafts
- Gearwheels in casehardened and highly alloyed steel
- Pressure transmitter and temperature sensor
- Oil system with direct driven oil pump, cooler, filter, valves, manometer etc.
- Pressure lubricating system for bearings and gears
- Designed according to the rules of the classification societies
- Built on emergency oil pump unit 1 kW with automatic start
- Each gearbox is tested and approved in test bed

Variants:

Customized step up ratios available on request
1 step or 2 step configurations