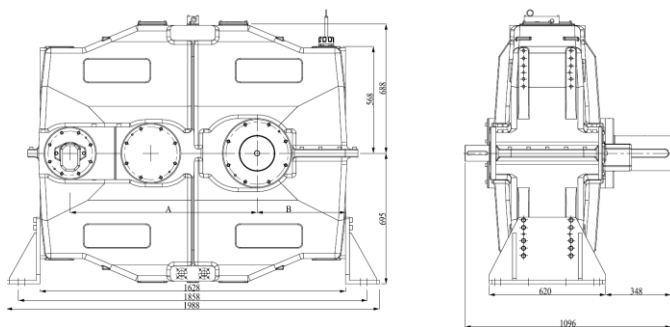


mekanord marinegearbox

PTO900



Step Up Ratio	Speed RPM In	Speed RPM Out	Max. Generator Power kW
1:7,15	210	1502	900
1:8,71	173	1506	700
1:10,44	173	1805	900
1:12,44	146	1816	900
1:14,30	127	1820	900
1:15,83	113	1789	900

Most efficient PTO system for controllable pitch propulsion systems. Designed for 2-stroke engine applications with specific focus on environment and fuel economy.

Weight:

Approx. 2800 kg

Gearbox:

- Rigid cast iron housing with oil sump, supports and inspection lids
- Horizontal offset
- Roller bearings of double spherical type
- Tapered 1:30 input and output shafts
- Gearwheels in casehardened and highly alloyed steel
- Pressure transmitter and temperature sensor
- Oil system with direct driven oil pump, cooler, filter, valves, manometer etc.
- Pressure lubricating system for bearings and gears
- Designed according to the rules of the classification societies
- Built on emergency oil pump unit 1 kW with automatic start
- Each gearbox is tested and approved in test bed

Variants:

Customized step up ratios available on request
1 step or 2 step configurations