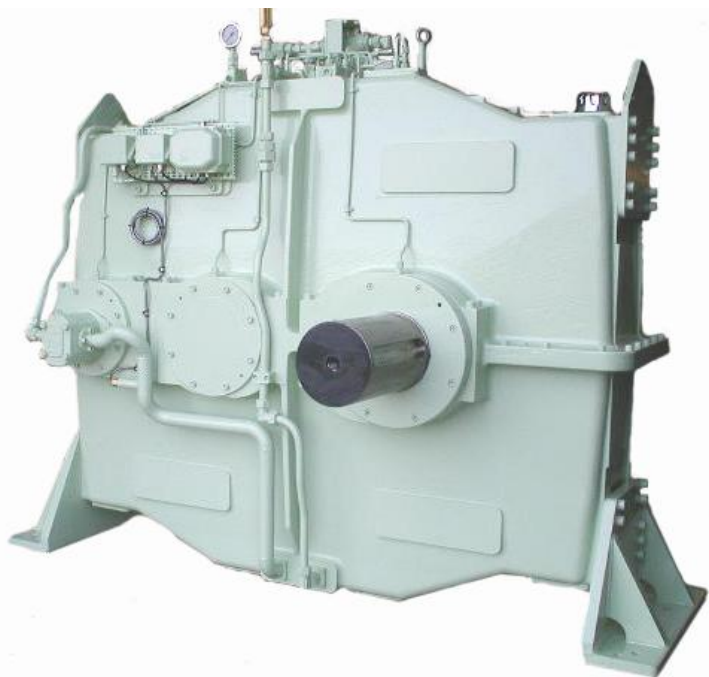
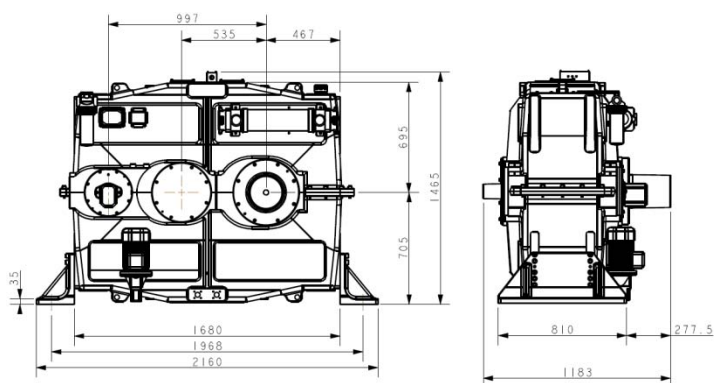


**mekanord**  
marinegearbox

# PTO1500



Step Up Ratio	Speed RPM In	Speed RPM Out	Max. Generator Power kW
1:10,44	173	1805	1650
1:10,79	167	1802	1650
1:14,20	127	1803	1350
1:16,37	110	1801	1250

Most efficient PTO system for controllable pitch propulsion systems. Designed for 2-stroke engine applications with specific focus on environment and fuel economy.

#### Weight:

Approx. 3800 kg

#### Gearbox:

- Rigid cast iron housing with oil sump, supports and inspection lids
- Horizontal offset
- Roller bearings of double spherical type
- Tapered 1:30 input and output shafts
- Gearwheels in casehardened and highly alloyed steel
- Pressure transmitter and temperature sensor
- Oil system with direct driven oil pump, cooler, filter, valves, manometer etc.
- Pressure lubricating system for bearings and gears
- Designed according to the rules of the classification societies
- Built on emergency oil pump unit 1 kW with automatic start
- Each gearbox is tested and approved in test bed

#### Variants:

Customized step up ratios available on request  
1 step or 2 step configurations