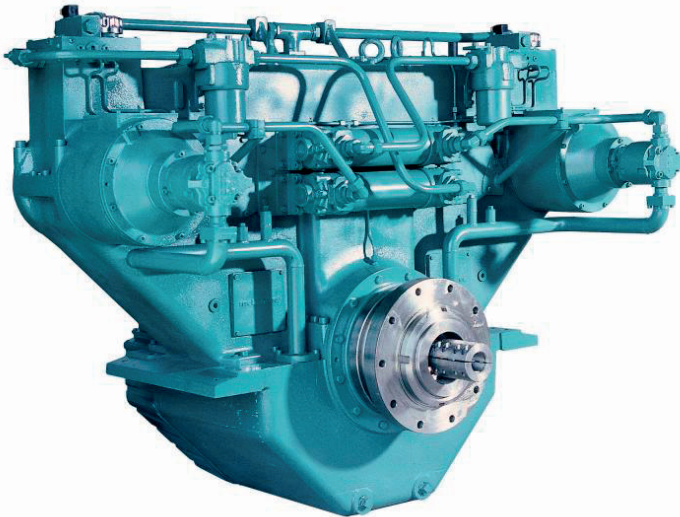
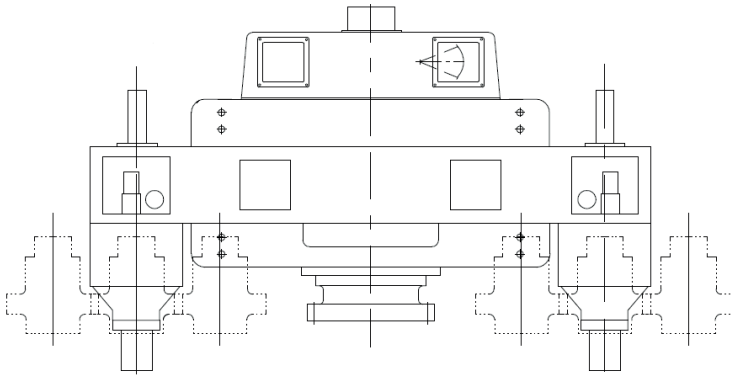
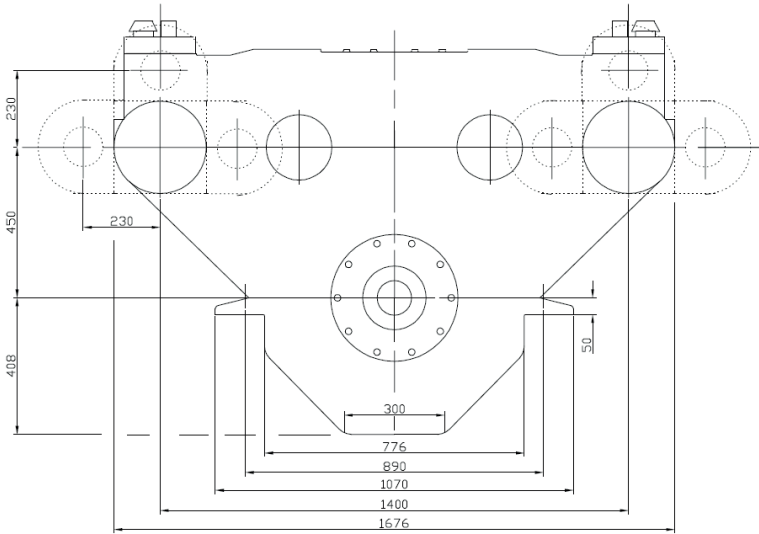


TWIN1400 - MARINE GEARBOX



Manufacturer of **mekanord** gearboxes

Reduction Ratio	Power Factor kW/RPM	Input Shaft Diameter mm
2,03-4,03-5,04:1	2x0,302	2X60
6,11:1	2x0,322	2X60
7,18:1	2x0,229	2X60

Servo for CP Propeller:

Max force = 200 kN
Max stroke = 124 mm

PTO:

PTO with SAE C-flange and 14 tooth 1 ¼" involute inside spline
Other SAE and ISO flanges and splines available
Free shaft end also available
Max torque from PTO: 800 Nm

Weight:

Approx. 1700 kg plus approx. 25 kg per PTO

Gearbox:

- Built-in servo system for CP propeller
- Compact design
- Large economical reduction ratio
- Option of 1, 2 or 3 PTOs each with own hydraulic clutch
- Rigid cast iron housing
- Helical ground gearwheels in casehardened, highly alloyed steel
- Hydraulic multi-plate clutch
- Oil system with direct driven oil pump, cooler, filter, valves etc.
- Pressure lubricated spherical roller bearings
- Designed according to the rules of the classification societies
- Each gearbox is tested and approved in test bed

Variants:

TWIN1400-U with U-drive
TWIN1400OD prepared for OD system

For further details and additional information,
please contact our technical sales organization

sales@meproduction.dk