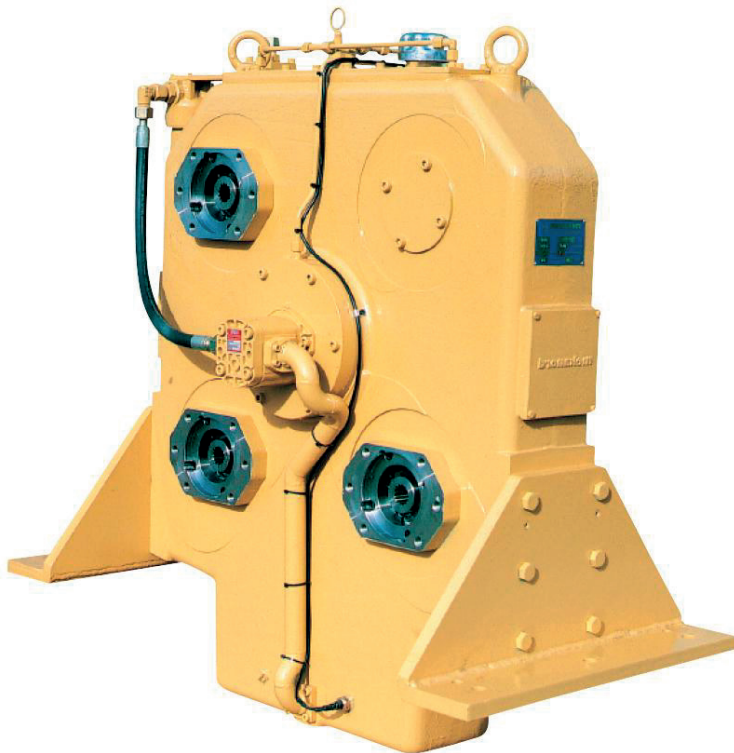
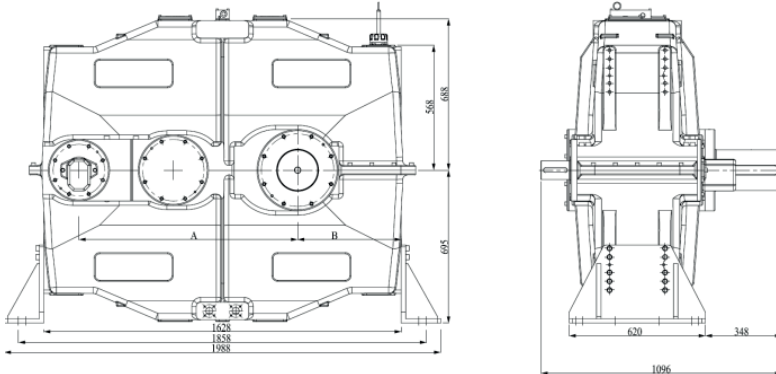


PTO300 - MARINE GEARBOX

Dimension sketch, option of 1, 2, 3 or 4 PTO



Manufacturer of **mekanord** gearboxes

PTO gearbox with up to 4 output shafts

Weight approx. 550 kg with 4 PTOs mounted

Gearbox:

- Rigid cast iron housing with oil sump, supports and inspection lids
- Step-up ratio options: 1:2,13 - 1:1,0 - 1:1,38 - 1:1,64 - 1:1,90
- Max torque 900 Nm (Option of 1050 Nm or 1600 Nm)
- Roller bearings of double spherical type
- Gearwheels in casehardened and highly alloyed steel
- Ø100 mm input shaft
- Pressure transmitter and temperature sensor
- Oil system with pump, pressure regulating valve and cooler
- Hydraulic multidisc clutch
- Solenoid valve for remote control of clutch
- Drive shaft with SAE C flange and 14 tooth 1 3/4" involute inside spline (other configurations available on request)
- Pressure lubricating system for bearings and gears
- Designed according to the rules of the classification societies
- Each gearbox is tested and approved in test bed

For further details and additional information,
please contact our technical sales organization

sales@meproduction.dk



MEPRODUCTION
EFFICIENCY THROUGH SIMPLICITY