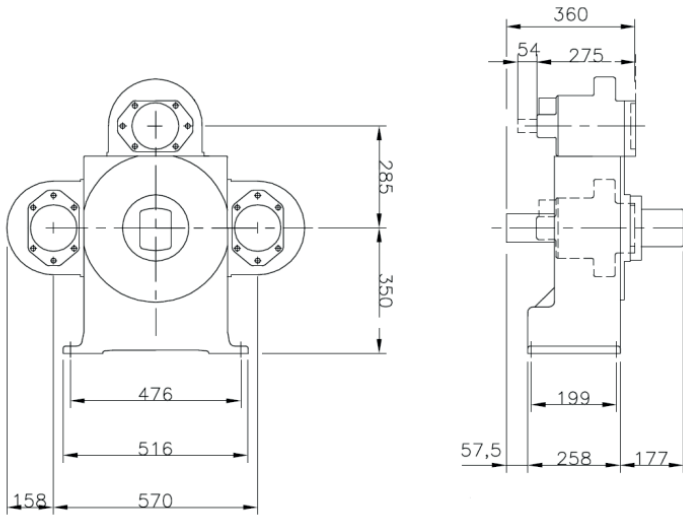


PTO285 - MARINE GEARBOX

Dimension sketch, option of 1, 2 or 3 PTO

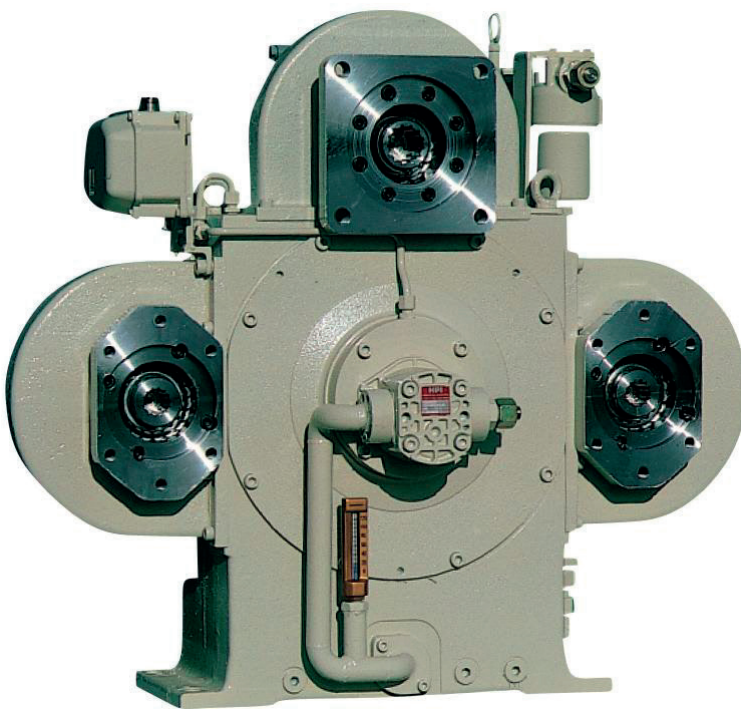


PTO gearbox with up to 3 output shafts

Weight approx. 250 kg with 3 PTOs mounted

Gearbox:

- Rigid cast iron housing with oil sump, supports and inspection lids
- Step-up ratio options: 1:1,76 - 1:1,02 - 1:1,33 - 1:1,49 - 1:1,90
- Max torque 900 Nm (Option of 1050 Nm)
- Roller bearings of double spherical type
- Gearwheels in casehardened and highly alloyed steel
- Ø80 mm input shaft
- Pressure transmitter and temperature sensor
- Oil system with pump, pressure regulating valve and cooler
- Hydraulic multidisc clutch
- Solenoid valve for remote control of clutch
- Drive shaft with SAE C flange and 14 tooth 1 3/4" involute inside spline (other configurations available on request)
- Pressure lubricating system for bearings and gears
- Designed according to the rules of the classification societies
- Each gearbox is tested and approved in test bed



Manufacturer of **mekanord** gearboxes

For further details and additional information,
please contact our technical sales organization

sales@meproduction.dk



MEPRODUCTION
EFFICIENCY THROUGH SIMPLICITY