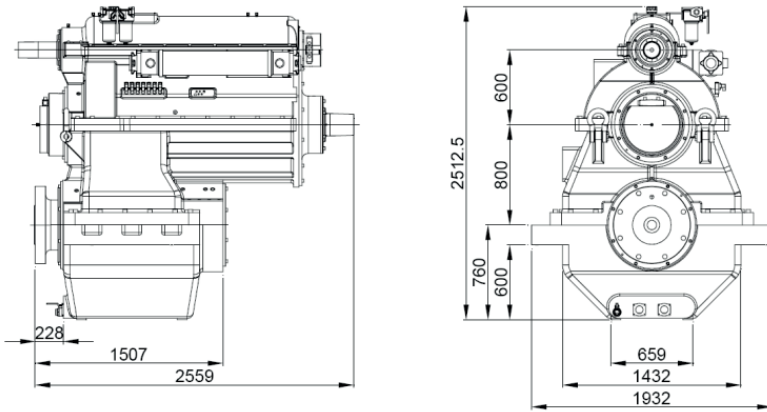


800D - MARINE GEARBOX



Reduction Ratio	Power Factor kW/RPM	Input Shaft Diameter mm
2,95-3,58:1	9,90	180
4,16:1	8,80	180
4,33:1	7,60	180
4,95:1	7,00	180
5,59:1	5,80	180
6,15:1	4,50	180

PTO/PTI:

PTO/PTI with free shaft

PTO max step-up 1:2,24

PTI max step-up 1:3,21

Max torque from PTO: 4000 Nm

Max torque from PTO/PTI: 8500 Nm

Weight:

Approx. 14300 kg

Gearbox:

- Prepared for OD system
- Compact design
- Large economical reduction ratio
- Option of PTO/PTI with individual hydraulic clutches
- Rigid cast iron housing
- Helical ground gearwheels in casehardened and highly alloyed steel
- Hydraulic multi-plate clutch
- Oil system with direct driven oil pump, cooler, filter, valves etc.
- Pressure lubricated spherical roller bearings
- Designed according to the rules of the classification societies
- Each gearbox is tested and approved in test bed



Manufacturer of **mekanord** gearboxes

For further details and additional information,
please contact our technical sales organization

sales@meproduction.dk



MEPRODUCTION
EFFICIENCY THROUGH SIMPLICITY