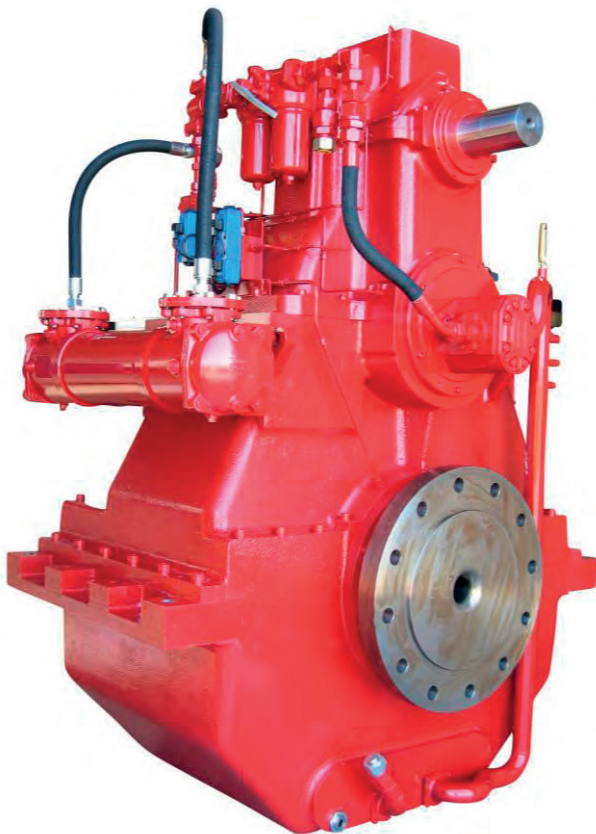
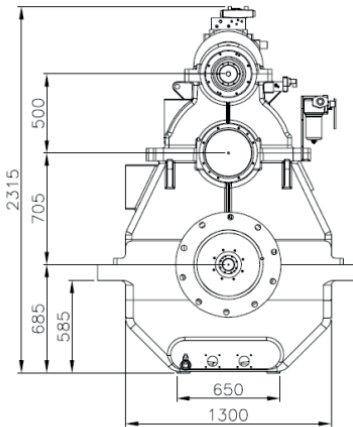
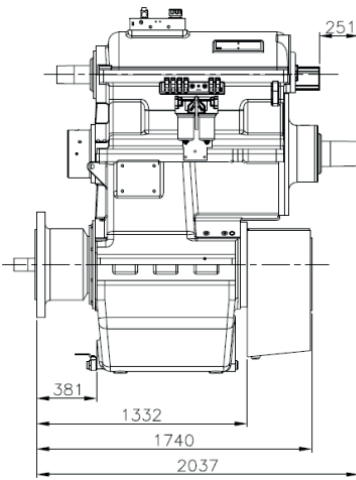


70HS - MARINE GEARBOX



Manufacturer of **mekanord** gearboxes

Reduction Ratio	Power Factor kW/RPM	Input Shaft Diameter mm
3,05:1	7,00	160
3,53:1	6,80	160
4,16:1	5,90	160
4,44:1	5,30	160
5,05:1	4,50	160
5,58:1	3,80	160
5,94:1	3,50	160
7,12:1	2,69	160
8,12:1	2,15	160

Servo for CP Propeller:

Max force = 1500 kN
Max stroke = 175 mm

PTO/PTI:

PTO/PTI with free shaft
PTO max step-up 1:2,24
PTI max step-up 1:3,21
Max torque from PTO: 4000 Nm
Max torque from PTO/PTI: 8500 Nm

Weight:

Approx. 6800 kg plus approx. 70 kg per PTO

Gearbox:

- Built-in servo system for CP propeller
- Compact design
- Large economical reduction ratio
- Option of PTO/PTI with individual hydraulic clutches
- Rigid cast iron housing
- Helical ground gearwheels in casehardened and highly alloyed steel
- Hydraulic multi-plate clutch
- Oil system with direct driven oil pump, cooler, filter, valves etc.
- Pressure lubricated spherical roller bearings
- Designed according to the rules of the classification societies
- Each gearbox is tested and approved in test bed

Variants:

70OD prepared for OD system

For further details and additional information,
please contact our technical sales organization

sales@meproduction.dk