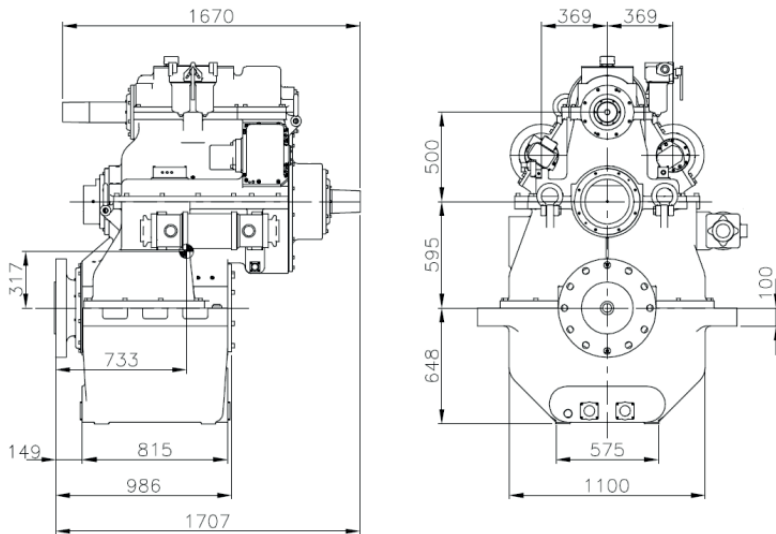


600D - MARINE GEARBOX



Reduction Ratio	Power Factor kW/RPM	Input Shaft Diameter mm
2,84-3,67-4,06:1	3,70	130
4,44:1	3,60	130
4,94:1	3,00	130
5,61:1	2,30	130
5,94:1	2,30	130
6,06:1	1,97	130
8,18:1	1,50	130

PTO/PTI:

PTO/PTI with free shaft

PTO max step-up 1:2,24

PTI max step-up 1:3,21

Max torque from PTO: 4000 Nm

Max torque from PTO/PTI: 8500 Nm

Weight:

Approx. 5400 kg plus approx. 70 kg per PTO

Gearbox:

- Prepared for OD system
- Compact design
- Large economical reduction ratio
- Option of PTO/PTI with individual hydraulic clutches
- Rigid cast iron housing
- Helical ground gearwheels in casehardened and highly alloyed steel
- Hydraulic multi-plate clutch
- Oil system with direct driven oil pump, cooler, filter, valves etc.
- Pressure lubricated spherical roller bearings
- Designed according to the rules of the classification societies
- Each gearbox is tested and approved in test bed

Variants:

60HS with built-in servo system for CP propeller



Manufacturer of **mekanord** gearboxes

For further details and additional information,
please contact our technical sales organization

sales@meproduction.dk



MEPRODUCTION
EFFICIENCY THROUGH SIMPLICITY