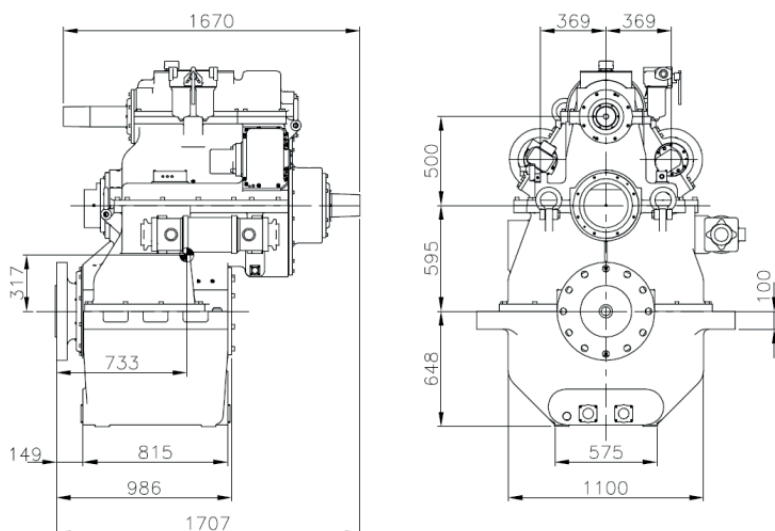


# 60HS - MARINE GEARBOX



Manufacturer of **mekanord** gearboxes

| Reduction Ratio | Power Factor kW/RPM | Input Shaft Diameter mm |
|-----------------|---------------------|-------------------------|
| 2,84-3,67:1     | 3,70                | 130                     |
| 4,06:1          | 3,70                | 130                     |
| 4,44:1          | 3,60                | 130                     |
| 4,94:1          | 3,00                | 130                     |
| 5,61:1          | 2,60                | 130                     |
| 5,94:1          | 2,30                | 130                     |
| 6,06:1          | 1,97                | 130                     |
| 8,18:1          | 1,50                | 130                     |

#### Servo for CP Propeller:

Max force = 1200 kN  
Max stroke = 175 mm

#### PTO/PTI:

PTO/PTI with free shaft  
PTO max step-up 1:2,24  
PTI max step-up 1:3,21  
Max torque from PTO: 4000 Nm  
Max torque from PTO/PTI: 8500 Nm

#### Weight:

Approx. 5500 kg plus approx. 70 kg per PTO

#### Gearbox:

- Built-in servo system for CP propeller
- Compact design
- Large economical reduction ratio
- Option of PTO/PTI with individual hydraulic clutches
- Rigid cast iron housing
- Helical ground gearwheels in casehardened and highly alloyed steel
- Hydraulic multi-plate clutch
- Oil system with direct driven oil pump, cooler, filter, valves etc.
- Pressure lubricated spherical roller bearings
- Designed according to the rules of the classification societies
- Each gearbox is tested and approved in test bed

#### Variants:

60OD prepared for OD system

For further details and additional information,  
please contact our technical sales organization

[sales@meproduction.dk](mailto:sales@meproduction.dk)



**MEPRODUCTION**  
EFFICIENCY THROUGH SIMPLICITY