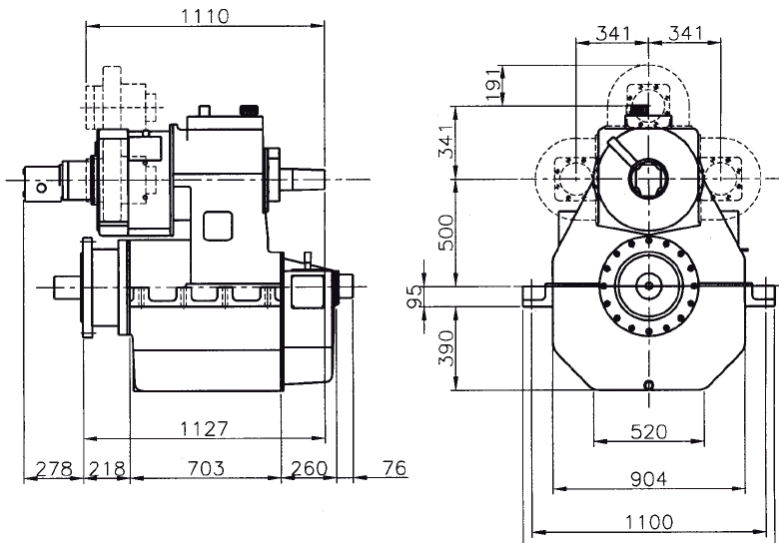


5000D - MARINE GEARBOX



Reduction Ratio	Power Factor kW/RPM	Input Shaft Diameter mm
2,03-2,56-3,04-3,32:1	2,400	120
3,63:1	2,315	120
4,24:1	1,803	120
4,39:1	1,752	120
3,52-4,05:1	1,650	100
4,65:1	1,433	100
4,94:1	1,345	100
5,67:1	1,026	100
6,06:1	0,951	100
6,56:1	0,810	100

PTO/PTI:

PTO with SAE D-flange and 13 tooth 1 3/4" involute inside spline

Other SAE and ISO flanges and splines available

Free shaft end also available

Max torque from PTO: 2000 Nm

Max torque from PTO/PTI: 3500 Nm

Weight:

Approx. 2350 kg plus approx. 70 kg per PTO

Gearbox:

- Prepared for OD system
- Compact design
- Large economical reduction ratio
- Option of 1, 2 or 3 PTOs each with own hydraulic clutch
- Rigid cast iron housing
- Helical ground gearwheels in casehardened and highly alloyed steel
- Hydraulic multi-plate clutch
- Oil system with direct driven oil pump, cooler, filter, valves etc.
- Pressure lubricated spherical roller bearings
- Designed according to the rules of the classification societies
- Each gearbox is tested and approved in test bed

Variants:

500HS with built-in servo system for CP propeller

500-2HS 2-step gearbox for high reduction ratios

500HS/PTI with PTI shaft

500OD/PTI with PTI shaft

500-2OD 2-step gearbox for high reduction ratios



Manufacturer of **mekanord** gearboxes

For further details and additional information,
please contact our technical sales organization

sales@meproduction.dk