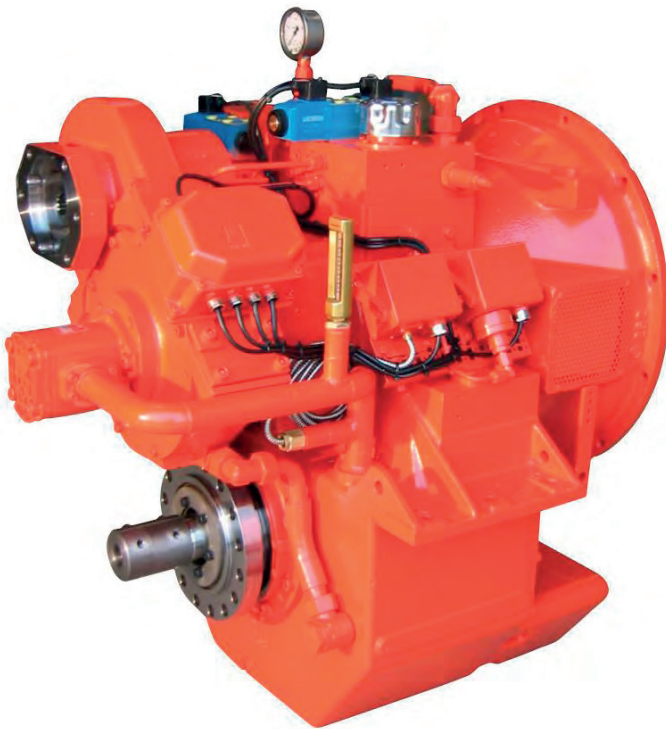
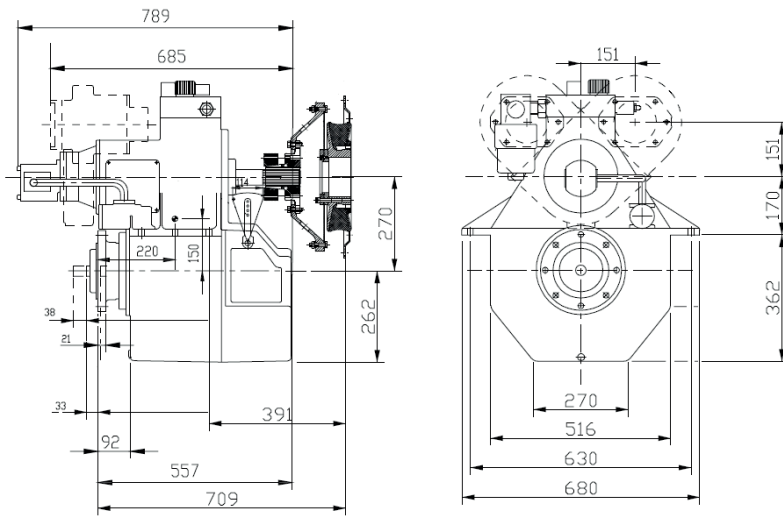


270HS - MARINE GEARBOX



Manufacturer of **mekanord** gearboxes

Reduction Ratio	Power Factor kW/RPM	Input Shaft Diameter mm
1,61-1,97-2,47-2,96-3,52:1	0,220	50
3,95-4,47-5,12-5,51:1	0,163	45
5,93:1	0,145	45
6,53:1	0,128	45

Servo for CP Propeller:

Max force = 93 kN

Max stroke = 76 mm

PTO/:

PTO with SAE C-flange and 14 tooth 1 ¼" involute inside spline

Other SAE and ISO flanges and splines available

Free shaft end also available

Max torque from PTO: 600 Nm

Weight:

Approx. 375 kg plus approx. 20 kg per PTO

Gearbox:

- Built-in servo system for CP propeller
- Compact design
- Large economical reduction ratio
- Option of 1 or 2 PTOs each with own hydraulic clutch
- Rigid cast iron housing
- Helical ground gearwheels in casehardened and highly alloyed steel
- Hydraulic multi-plate clutch
- Oil system with direct driven oil pump, cooler, filter, valves etc.
- Pressure lubricated spherical roller bearings
- Designed according to the rules of the classification societies
- Each gearbox is tested and approved in test bed

Variants:

270HS/LS extra long stroke for feathering propeller

For further details and additional information,
please contact our technical sales organization

sales@meproduction.dk